



10XS.../AK...



**Operating conditions** see page 9

Pressure 500 bar  
Temperature **PU33** -40 to 110°C  
**PU18** -30 to 90°C

**Materials** see pages 10-15

Polyurethane 92 Sh A PU33: dark green  
Polyurethane 94 Sh A PU18: green

**Assembly** see pages 26-29

Replaces o-ring without back-up

**Advantages**

The **depths** and **widths** of the grooves of o-rings do not always meet the ISO standard. For o-rings with a cross section of 3.53 mm the groove depth can vary from **2.70 (ISO norm) to 3.10 mm** and the widths from **4.00 to 4.70 mm (ISO norm)**.

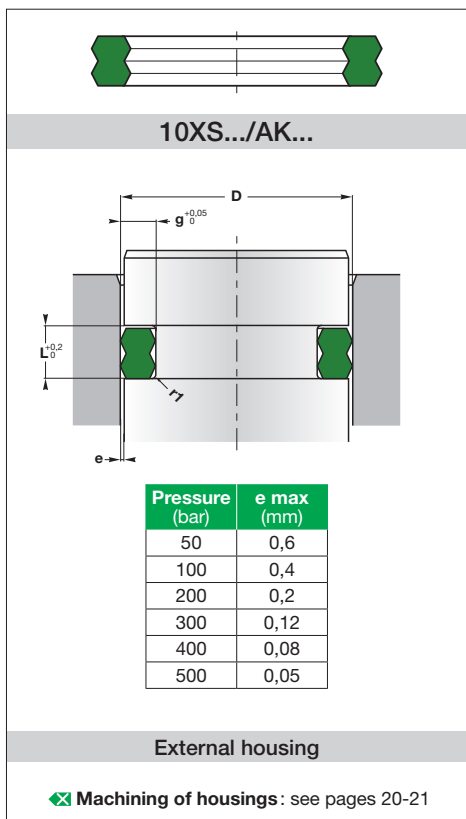
For this reason SEALTECH has developed a new universal static seal: the 10XS.../AK... which advantageously replaces the o-ring in all common and more complicated applications.

The **10XS.../AK...** profile has the following advantages:

- Compact and interchangeable with o-ring
- Exceptional resistance to **extrusion**
- Reliable for **depths** and **widths** range according the tables thereafter
- Easy and safe installation
- The clearance between the parts can be **greater**
- Available for a **wide range** of bores (from 40 up to 200 mm)
- The anti-extrusion ring is useless
- Very efficient for **repairs and new constructions** (in the case of new constructions: use the ISO dimensions for the groove)
- Contact us for dynamic sealing applications

**Please contact us for applications approaching maximum values.**

| O-ring cross section | D            | g          | L          | PU             | Reference      |
|----------------------|--------------|------------|------------|----------------|----------------|
| 3,53                 | 40 to 41,9   | 2,7 to 3,1 | 4 to 4,8   | PU33           | 10XS 40/AK353  |
|                      | 42 to 43,9   | 2,7 to 3,1 | 4 to 4,8   | PU18           | 10XS 42/AK353  |
|                      | 44 to 45,9   | 2,7 to 3,1 | 4 to 4,8   | PU18           | 10XS 44/AK353  |
|                      | 46 to 47,9   | 2,7 to 3,1 | 4 to 4,8   | PU18           | 10XS 46/AK353  |
|                      | 48 to 49,9   | 2,7 to 3,1 | 4 to 4,8   | PU18           | 10XS 48/AK353  |
|                      | 50 to 52,9   | 2,7 to 3,1 | 4 to 4,8   | PU33           | 10XS 50/AK353  |
|                      | 53 to 55,9   | 2,7 to 3,1 | 4 to 4,8   | PU18           | 10XS 53/AK353  |
|                      | 56 to 59,9   | 2,7 to 3,1 | 4 to 4,8   | PU18           | 10XS 56/AK353  |
|                      | 60 to 62,9   | 2,7 to 3,1 | 4 to 4,8   | PU33           | 10XS 60/AK353  |
|                      | 63 to 65,9   | 2,7 to 3,1 | 4 to 4,8   | PU33           | 10XS 63/AK353  |
|                      | 66 to 69,9   | 2,7 to 3,1 | 4 to 4,8   | PU18           | 10XS 66/AK353  |
|                      | 70 to 72,9   | 2,7 to 3,1 | 4 to 4,8   | PU33           | 10XS 70/AK353  |
| 5,34                 | 73 to 75,9   | 2,7 to 3,1 | 4 to 4,8   | PU18           | 10XS 73/AK353  |
|                      | 76 to 79,9   | 2,7 to 3,1 | 4 to 4,8   | PU18           | 10XS 76/AK353  |
|                      | 80 to 84     | 2,7 to 3,1 | 4 to 4,8   | PU33           | 10XS 80/AK353  |
|                      | 80 to 84,9   | 4,3 to 4,7 | 5,9 to 7,1 | PU33           | 10XS 80/AK534  |
|                      | 85 to 89,9   | 4,3 to 4,7 | 5,9 to 7,1 | PU18           | 10XS 85/AK534  |
|                      | 90 to 94,9   | 4,3 to 4,7 | 5,9 to 7,1 | PU33           | 10XS 90/AK534  |
|                      | 95 to 99,9   | 4,3 to 4,7 | 5,9 to 7,1 | PU18           | 10XS 95/AK534  |
|                      | 100 to 104,9 | 4,3 to 4,7 | 5,9 to 7,1 | PU33           | 10XS 100/AK534 |
|                      | 105 to 109,9 | 4,3 to 4,7 | 5,9 to 7,1 | PU18           | 10XS 105/AK534 |
|                      | 110 to 114,9 | 4,3 to 4,7 | 5,9 to 7,1 | PU33           | 10XS 110/AK534 |
|                      | 115 to 119,9 | 4,3 to 4,7 | 5,9 to 7,1 | PU18           | 10XS 115/AK534 |
|                      | 120 to 124,9 | 4,3 to 4,7 | 5,9 to 7,1 | PU18           | 10XS 120/AK534 |
|                      | 125 to 129,9 | 4,3 to 4,7 | 5,9 to 7,1 | PU18           | 10XS 125/AK534 |
|                      | 130 to 135,9 | 4,3 to 4,7 | 5,9 to 7,1 | PU18           | 10XS 130/AK534 |
|                      | 136 to 142,9 | 4,3 to 4,7 | 5,9 to 7,1 | PU18           | 10XS 136/AK534 |
|                      | 143 to 149,9 | 4,3 to 4,7 | 5,9 to 7,1 | PU18           | 10XS 143/AK534 |
|                      | 150 to 157,9 | 4,3 to 4,7 | 5,9 to 7,1 | PU18           | 10XS 150/AK534 |
|                      | 158 to 165,9 | 4,3 to 4,7 | 5,9 to 7,1 | PU18           | 10XS 158/AK534 |
|                      | 166 to 173,9 | 4,3 to 4,7 | 5,9 to 7,1 | PU18           | 10XS 166/AK534 |
|                      | 174 to 181,9 | 4,3 to 4,7 | 5,9 to 7,1 | PU18           | 10XS 174/AK534 |
| 182 to 189,9         | 4,3 to 4,7   | 5,9 to 7,1 | PU18       | 10XS 182/AK534 |                |
| 190 to 199,9         | 4,3 to 4,7   | 5,9 to 7,1 | PU18       | 10XS 190/AK534 |                |
| 200 to 210           | 4,3 to 4,7   | 5,9 to 7,1 | PU18       | 10XS 200/AK534 |                |



External housing

Machining of housings: see pages 20-21